

## Warnings

- Do not open the sensor housing.
- Do not pull or loop the measuring wire around unprotected body parts.
- Do not pull out the measuring wire beyond the measuring range listed.
- Do not let the measuring wire snap.

### > Risk of injury

- Do not damage the measuring wire.
- Do not oil or grease the measuring wire.
- Do not kink the measuring wire.
- Do not pull the measuring wire diagonally.
- Do not let the measuring wire drag around objects.
- Attach the measuring wire to the measured object while the wire is retracted.

### > Damage to or destruction of the sensor

## Notes on Product Marking

The product meets the requirements of CE and UKCA. All specifications described in the operating instructions must be observed.

## Proper Environment

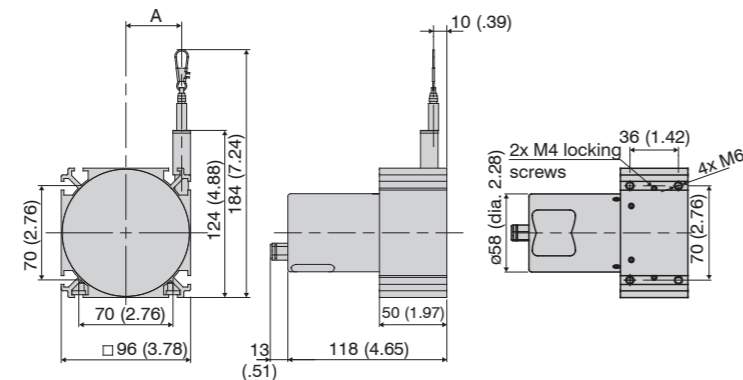
- Protection class: IP65<sup>1</sup>
- Temperature range:
  - Operation: -20 ... +80 °C (-4 ... -176 °F)
  - Storage: -20 ... +80 °C (-4 ... -176 °F)
  - Humidity: 5 ... 95 % (non-condensing)
- Ambient pressure: Atmospheric pressure

1) With plug version only when connected.

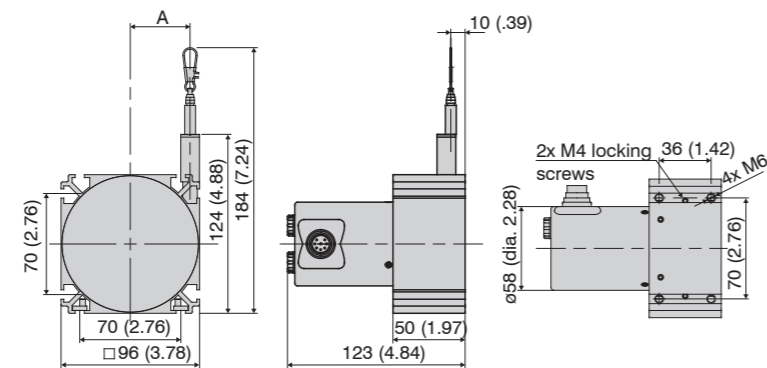
## Unpacking/Included in Delivery

- 1 Sensor
- 2 Slot nuts
- 1 Assembly instructions

## Dimensional Drawings

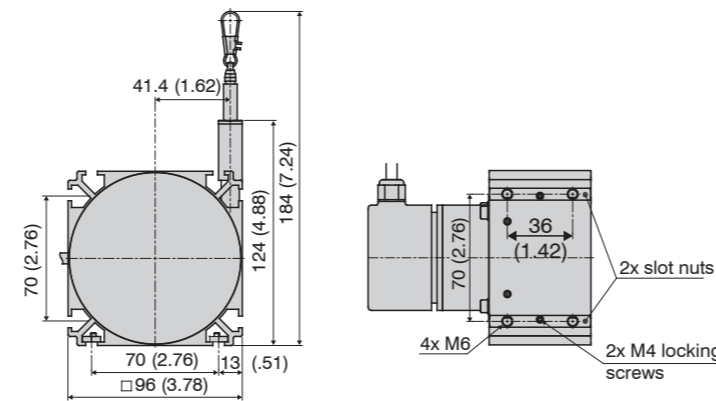


Dimensional drawing WDS- ... - P96 - CA - P, dimensions in mm (inches)

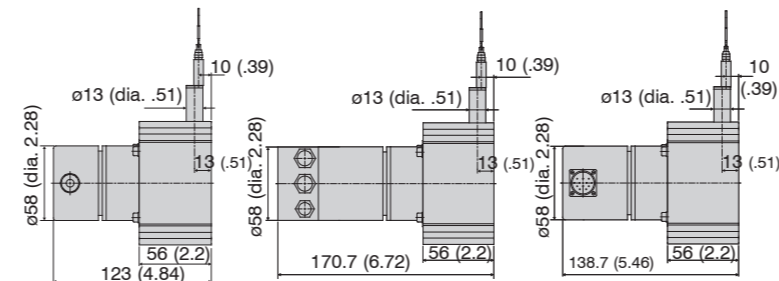


Dimensional drawing WDS- ... - P96 - SR - U/I, dimensions in mm (inches)

Measuring range (mm)	A (mm)
2000	approx. 32 (1.26)
2500	approx. 41.4 (1.63)



Dimensional drawing WDS- 3000 - P96 - XX - XXX, dimensions in mm (inches)



Dimensional drawing WDS- ... - P96 - CR - HTL/TTL

Dimensional drawing WDS- ... - P96 - SR - SSI

Dimensional drawing WDS- ... - P96 - BH - CO/PB/PN/ENIP/CAT

Dimensions in mm (inches)

## Sensor Mounting

➤ Mount the sensor with the slot nuts using M6 screws.

The slot nuts can be mounted on each sensor side and positioned as desired in the mounting groove.

Make sure that the thread length of the screws, which you use for the slot nuts, protrude from the sensor edge between 5 mm and 7 mm into the mounting groove.

> Damage of the sensor housing due to the screw being too long

The sensor does not have to be oriented in a special way.

➤ Select the installation position in such a way that damage to or contamination of the measuring wire is avoided.

ⓘ If possible, prefer an installation position in which the measuring wire exits downward. This prevents liquids from entering the measuring wire outlet.

ⓘ Do not let the measuring wire snap! There is no liability for material defects in case of damage due to snapping.



Assembly Instructions  
**wireSENSOR**  
**WDS Series**  
 WDS-XXXX-P96



## Pin Assignment Potentiometer Output

Electrical connection		Output
- CA - integrated cable	- SR - connector radial	- P - Potentiometer
Color DIN 47 100	Pin	
White	1	Input +
Brown	2	Ground
Green	3	Signal
Shield	Shield	Housing

Pin assignment WDS- ... - Pxx - CR - P

1) Pins 4 - 8 on the connector are not connected.

## Voltage / Current Output

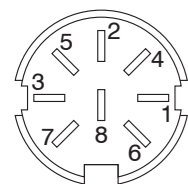
Electrical connection	Output	
	- U voltage	- I current
-- SR-1 connector		
Pin		
1	Supply +	
2	Ground	
3	Signal	---
4	Ground (Signal)	---

Pin assignment WDS- ... - Pxx - SR - U/I

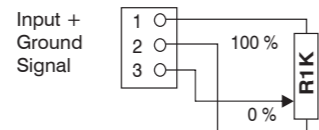
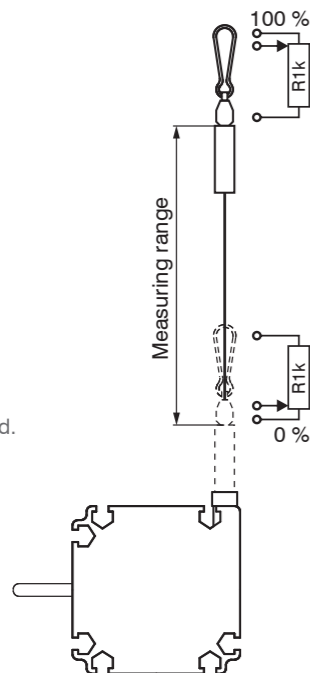
1) Voltage output:

Pins 5 - 8 on the connector are not connected.

Current output: Pins 3 to 8



View on solder pin side 8-pole socket



Model with potentiometer output

A pre-assembled connecting cable PC3/8-WDS is available as an optional accessory.

Please note the following for user-side assembly of a cable.

- Use a screened cable.
- Earth shield on electronics side.
- Recommended conductor cross-section 0.14 mm<sup>2</sup> (up to 9 m/30 ft cable length)
- Maximum cable diameter 8 mm / 0.3 inch

Note the pin assignment for draw-wire displacement sensors with **encoder output**. The sensor contains an additional supplement for detailed information.

### Operation

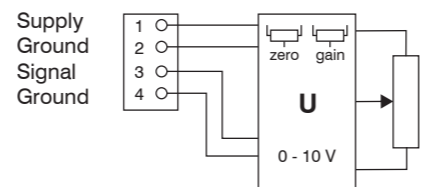
Draw wire sensors with voltage output (U) or current output (I) are equipped with integrated electronics with setting potentiometers (trimmers) for zero and gain. The access holes for the trimmers are located in the housing cover.

With the zero trimmer the zero point can be shifted by  $\pm 20\%$  of the range with voltage output ( $\pm 18\%$  with current output).

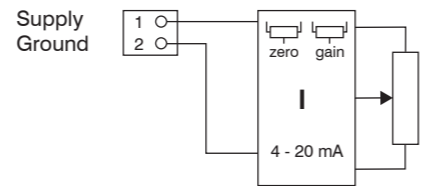
With the gain trimmer the signal span (sensitivity) is adjusted by  $\pm 20\%$  with voltage output ( $\pm 15\%$  with current output). For draw wire sensors with encoder output (E,A) there are no adjustment and setting elements.

### Standard setting

U-output: 0 ... 10 Volt      I-output: 4 ... 20 mA



Model with voltage output



Model with current output

## Guiding and Attaching the Wire

If the measuring wire must be pulled out of the sensor to guide the wire or attach it to the measured object:

- the sensor must not be held by a second person during that process,
- the measuring wire must not be pulled out beyond the measuring range listed,
- the area around the sensor must be protected against snapping of the measuring wire.

▶ Fix the measuring wire to the target using a wire clip.

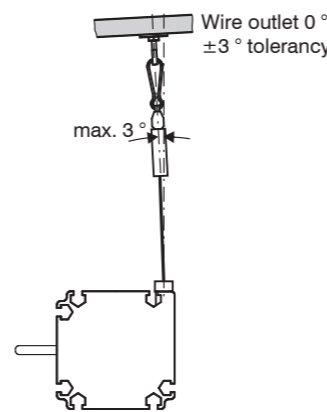
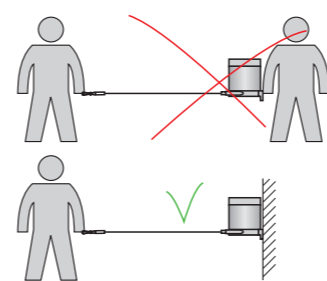
▶ Guide the measuring wire vertically out of the sensor housing.

Diagonal pull is only permitted up to 3 degrees.

If you drag the measuring wire over the insertion hole or other objects, the measuring wire will be damaged and/or tear.

If the measuring wire cannot be fed vertically out of the housing, it is essential to use a guide pulley (accessory TR1-WDS or TR3-WDS, see Operating instructions, Optional Accessories).

▶ Guide the measuring wire in a protected area so that it cannot get caught or otherwise be damaged.



Attachment and maximum diagonal pull of the measuring wire

## Declaration of Incorporation

### Declaration of incorporation according to EC Machinery Directive 2006/42/EC, Annex II B

The manufacturer and person authorized to compile the relevant technical documents

MICRO-EPSILON MESSTECHNIK GmbH & Co. KG  
Königbacher Straße 15, 94496 Ortenburg / Germany

hereby declare that the machine designated below complies with the relevant fundamental health and safety requirements of the EC Machinery Directive, including modifications to it applicable at the time of this declaration, based on its design and construction and in the version put on the market by us – to the extent that the scope of supply allows.

Machine design: Draw-wire sensor  
(mechanics and models with potentiometer output)

Type designation: WDS-xxx, WPS-xxx

The following fundamental health and safety requirements according to Annex I of the directive specified above have been applied and complied with:

- No. 1.1.2. Principles of safety integration
- No. 1.7.3. Marking of machinery
- No. 1.7.4. Operating instructions

Furthermore, we declare compliance with the following directives and standards including the modifications applicable at the time this declaration is made:

- Directive 2006/42/EC (machinery)
  - EN ISO 13857:2019 Safety of machinery - Safety distances to prevent hazard zones being reached by upper and lower limbs
  - EN 60204-1:2018 Safety of machinery - Electrical equipment of machines - Part 1: General requirements
- Directive 2011/65/EU (RoHS)
  - EN IEC 63000:2018 Technical documentation for the assessment of electrical and electronic devices with respect to the restriction of hazardous substances

We also declare that the special technical documentation for this partially completed machine has been created in accordance with Annex VII, Part B, and commit ourselves to disclose this to the market surveillance authorities upon request. The commissioning of these partially completed machines is prohibited until the partially completed machine(s) has/have been installed in a machine that meets the requirements of the EC Machinery Directive and for which an EU Declaration of Conformity according to Annex II, Part A exists.

Ortenburg, Germany  
July 1, 2021

Dipl.-Ing. (FH) Eduard Huber, MBA  
Quality Manager

You can find more information about the sensor in the operating instructions. They are online at:

<https://www.micro-epsilon.com/download/manuals/man--wireSENSOR-P60-P96-P115-P200--en.pdf>

MICRO-EPSILON MESSTECHNIK GmbH & Co. KG  
Koenigbacher Str. 15 • 94469 Ortenburg / Germany  
Tel. +49 8542 / 168-0 • Fax +49 8542 / 168-90  
info@micro-epsilon.com • www.micro-epsilon.com  
Your local contact: [www.micro-epsilon.com/contact/worldwide/](http://www.micro-epsilon.com/contact/worldwide/)



X9771034.02-A032073HDR